

RXR20 SERIES

High Voltage Contactors

200A CONTINUOUS DUTY

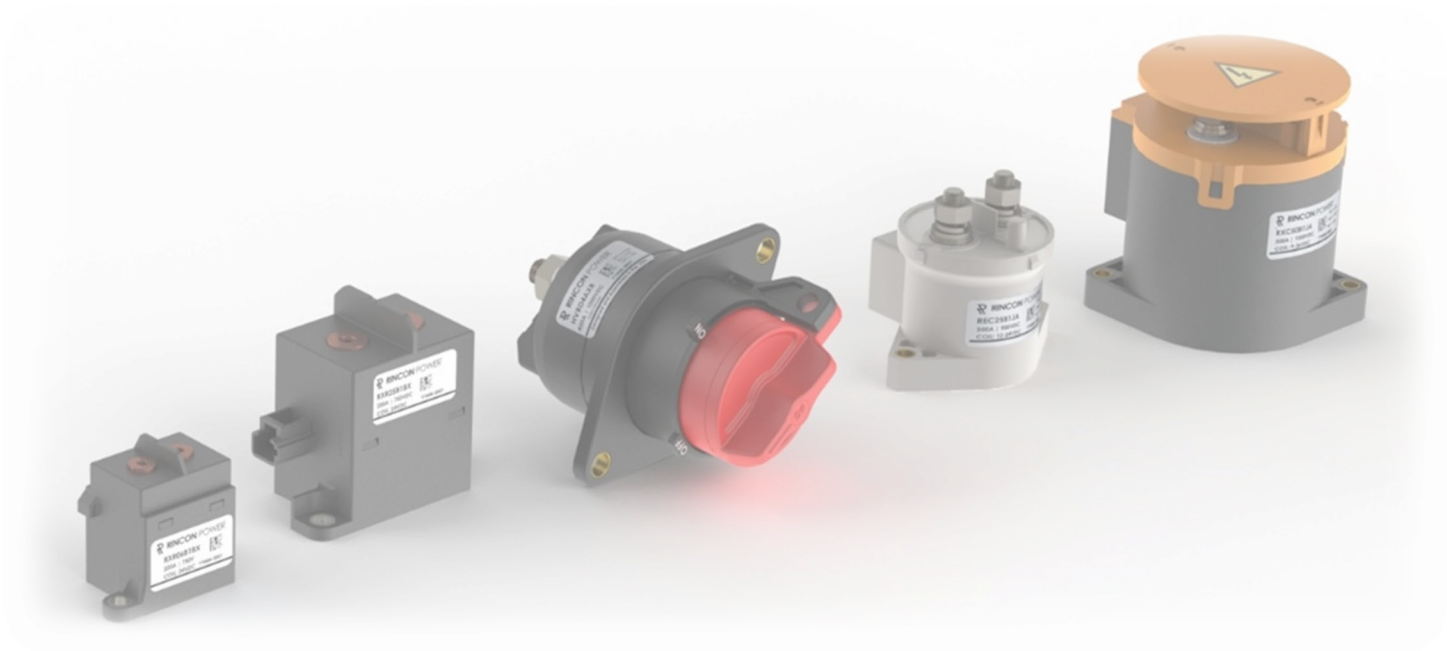
750V SYSTEM VOLTAGE



FEATURES

SPST Normally Open High Voltage Contactors

- Metal-ceramic hermetic seal
- High Temperature Performance
- Low contact resistance over life
- Meets RoHS 2011/65/EU



PERFORMANCE

TABLE 1. SPECIFICATIONS	
CHARACTERISTIC	MEASURE
Contact Arrangement	Form X, SPST NO
Max Switching Voltage ¹	750 VDC
Dielectric Withstand Voltage	2,500 VAC, 1 minute contacts to coil 5,000 VDC, 1 minute across open contacts
Continuous Current (60mm ² conductor)	200A
Overload Current	30 seconds 600A 10 minutes 300A
Fault Interrupt (450V, 1 cycle)	1,750A
Max Short Circuit Current -1s	2,500 A
Min Insulation Resistance	1,000 Mohm @ 500VDC
Contact Voltage Drop (Max)	50mV @ 100A
Operate Time (Max, incl bounce)	30ms
Release Time (Max)	10ms
Shock - Functional, 1/2 Sine, 11ms	20G
Shock – Destructive, 1/2 Sine, 11ms	50G
Operating Temperature	-40°C to 85°C
Ingress Protection	Exceeds IP69, (Hermetically sealed)
Mechanical life	200,000 cycles
AUXILIARY CONTACTS	MEASURE
Contact Arrangement	Not available
COIL (20° C)	MEASURE
Nominal Voltage	12 VDC 24 VDC
Pick-up Voltage (Max)	9 VDC 18 VDC
Drop-out Voltage (Min)	1.0VDC 2.0 VDC
Coil Resistance +/- 10%	24Ω 96Ω
Coil Power at Nominal Voltage	6W 6W

Current Carry (85C Ambient)

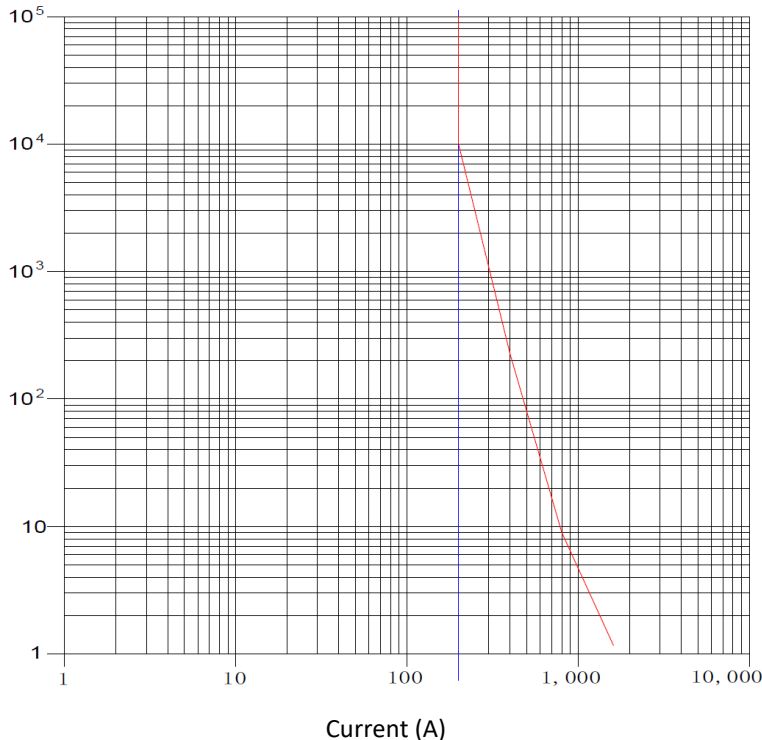


TABLE 2. RESISTIVE LOAD SWITCHING (MAKE / BREAK DATA)		
BI-DIRECTIONAL SWITCHING VOLTAGE	CURRENT	CYCLES (1 cycle = 1 make + 1 break)
450V	200A	5,000
650V	200A	2,000

¹ Contactor can be used in systems with higher voltages, but should be limited to no current, or very low current breaking. Contact Rincon Power for more details

OPTIONS

TABLE 3. PRODUCT NOMENCLATURE				
	CONTACT POLARITY	MOUNTING	COIL	AUXILIARY CONTACTS
RXR20	B Bi-directional	1 Bottom Mount	A 12V B 24V	X None

PRODUCT DIMENSIONS [mm]

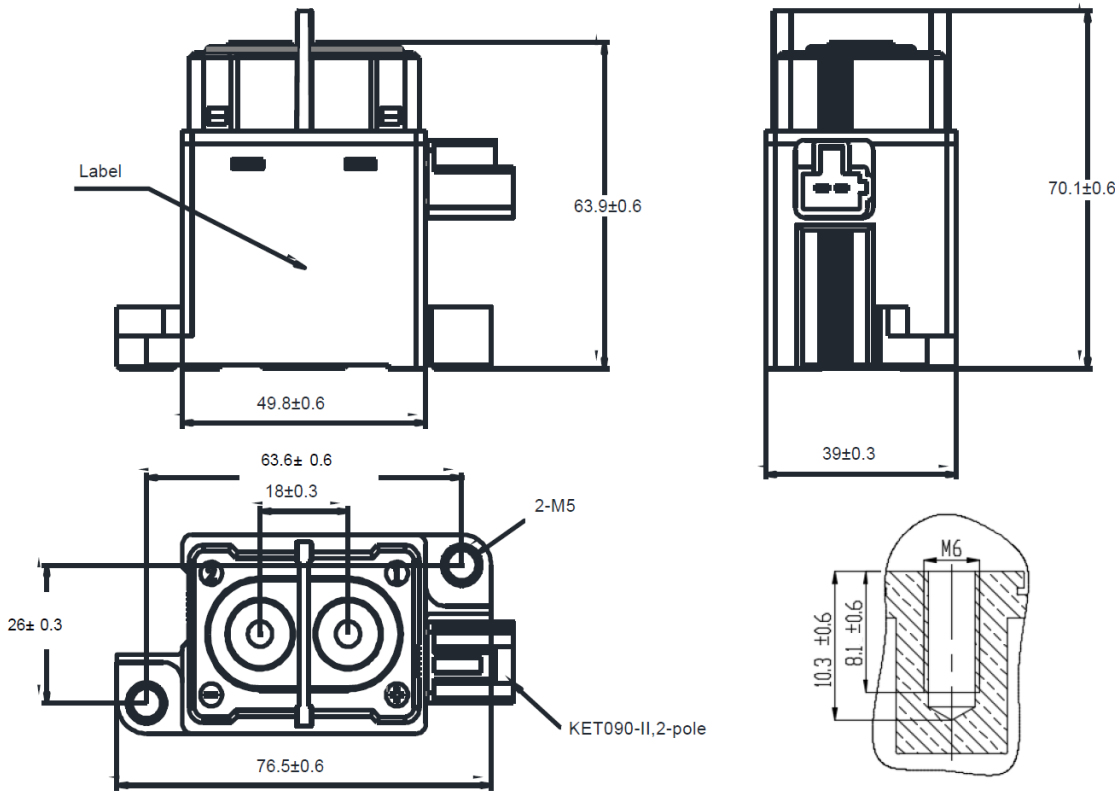


TABLE 4. DIMENSIONAL AND INSTALLATION	
CHARACTERISTIC	MEASURE
Weight	380g (0.84 lb)
Mounting Position	Any / Not Position Sensitive
Package Quantity	TBD
Install Torque M6 Main Terminals	6-8Nm (53-70 in-lb)

NOTES

- Attached cables and busbars directly to the main terminal pad using the recommended install torque. Do not use washers or other materials between the contactor and the conductor. This will ensure the lowest possible contact resistance
- Avoid excessive coil voltages. Exceeding the ratings on the datasheet may result in high coil temperature and coil failure
- Contactors may be used above Max Switching Voltage if the application does not require significant load breaking. Please contact Rincon Power to discuss in more detail